

BOTTOM PRESS SPARE PARTS IMPROVEMENT

WHAT IS NEW?

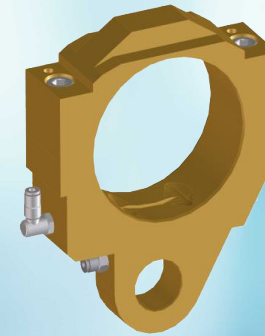
The three connection rod bearings in the Bottom Press are made completely made from bronze. Previously, in cases of wear and tear, the whole part had to be changed.

Now SIG has developed a new stainless steel split knee lever with a split bushing as a defined wear part.

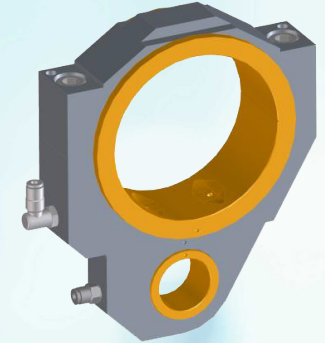
YOUR BENEFITS

With the new modification kit you need only to replace the bronze inserts in case of wear.

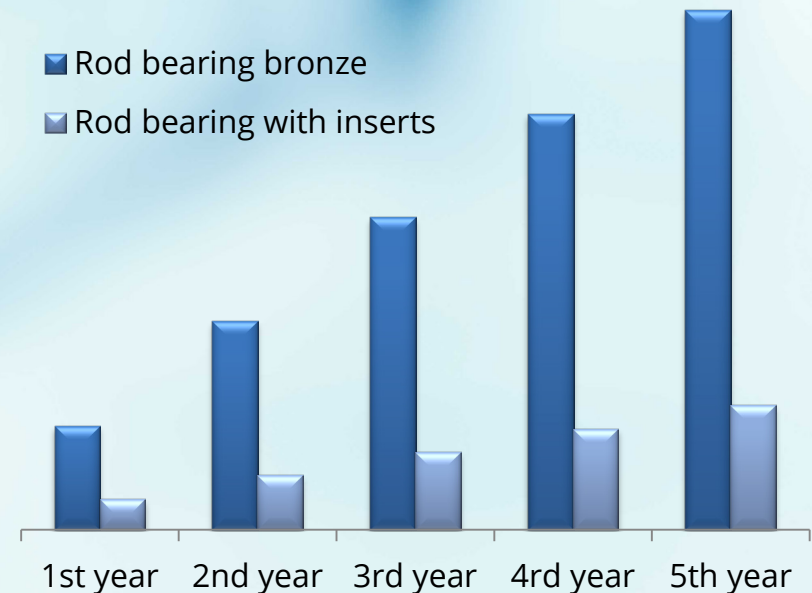
This reduces your costs considerably and at the same time minimizes the effort in the case of corrective maintenance.



Rod bearing completely made of bronze



New Rod bearing with worn inserts in bronze



Let's say the bearings are changed once a year, and we calculate the costs for a period of five years, you could reduce your costs already in the first year by 70% and rising. See corresponding graphic.

FOR FURTHER DETAILS PLEASE CONTACT YOUR LOCAL SERVICE